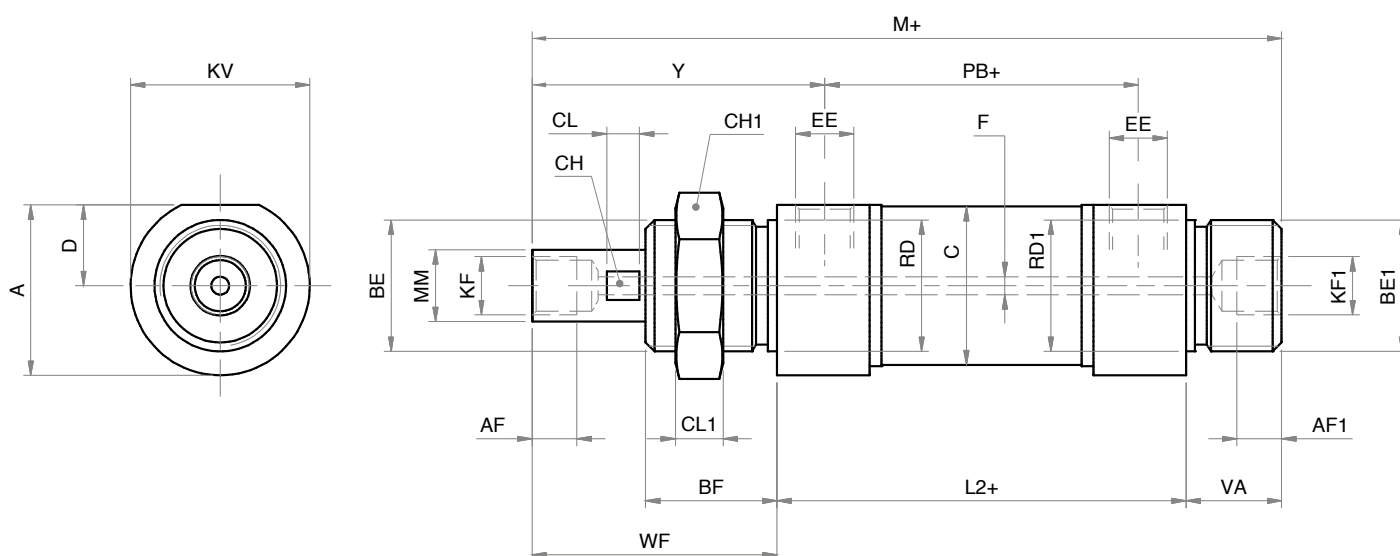
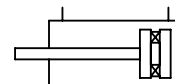



**CILINDRO D.E.M. STELO FORATO**
**CYLINDER WITH HOLLOW ROD D.A.M.**

**DIMENSIONI - DIMENSIONS**

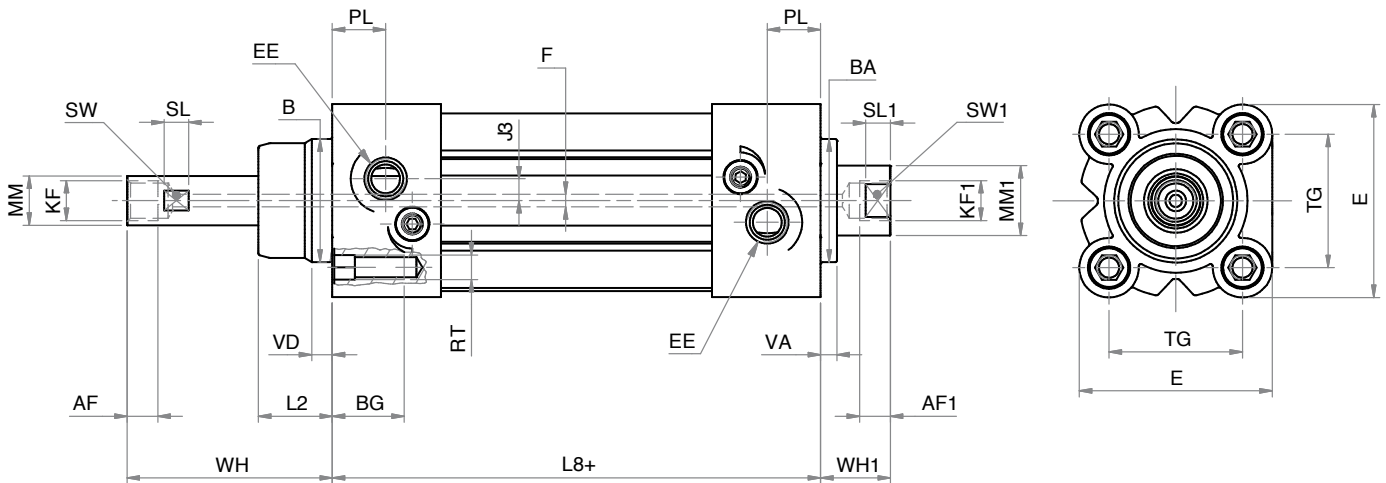
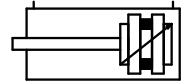
$\emptyset$	025
A	28,5
AF	7,5
AF1	7,5
BE	M22x1,5
BE1	M22x1,5
BF	22
$\emptyset$ C	26,5
CH	11
CH1	27
CL	5,5
CL1	8
D	13,5
EE	G 1/8"
F	3
KF	G 1/8"
KF1	G 1/8"
$\emptyset$ KV	30
L2+	68
M+	125
PB+	52
$\emptyset$ RD	22
$\emptyset$ RD1	22
VA	16
Y	49

**CORSE STANDARD - STANDARD STROKES**

$\emptyset$	25
050	x
100	x
150	x
200	x
230	x
300	x

+ = lunghezza corsa - stroke length

**CILINDRO D.E.M. STELO FORATO**
**CYLINDER WITH HOLLOW ROD D.A.M.**

 SERIE  
**H**


Note: stelo in acciaio inox 304 cromato

Note: chromed AISI 304 stainless steel rod

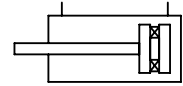
**DIMENSIONI - DIMENSIONS**

<b>Ø</b>	032	<b>Ø MM</b>	12
<b>AF</b>	7,5	<b>Ø MM1</b>	17
<b>AF1</b>	7,5	<b>PL</b>	13
<b>Ø B</b>	30	<b>RT</b>	M6
<b>Ø BA</b>	30	<b>SL</b>	6
<b>BG</b>	16	<b>SL1</b>	6
<b>E</b>	47	<b>SW</b>	11
<b>EE</b>	G 1/8"	<b>SW1</b>	15
<b>F</b>	3	<b>TG</b>	32,5
<b>J3</b>	5,3	<b>VA</b>	4
<b>KF</b>	G 1/8"	<b>VD</b>	5
<b>KF1</b>	G 1/8"	<b>WH</b>	50
<b>L2</b>	18	<b>WH1</b>	17
<b>L8+</b>	94		

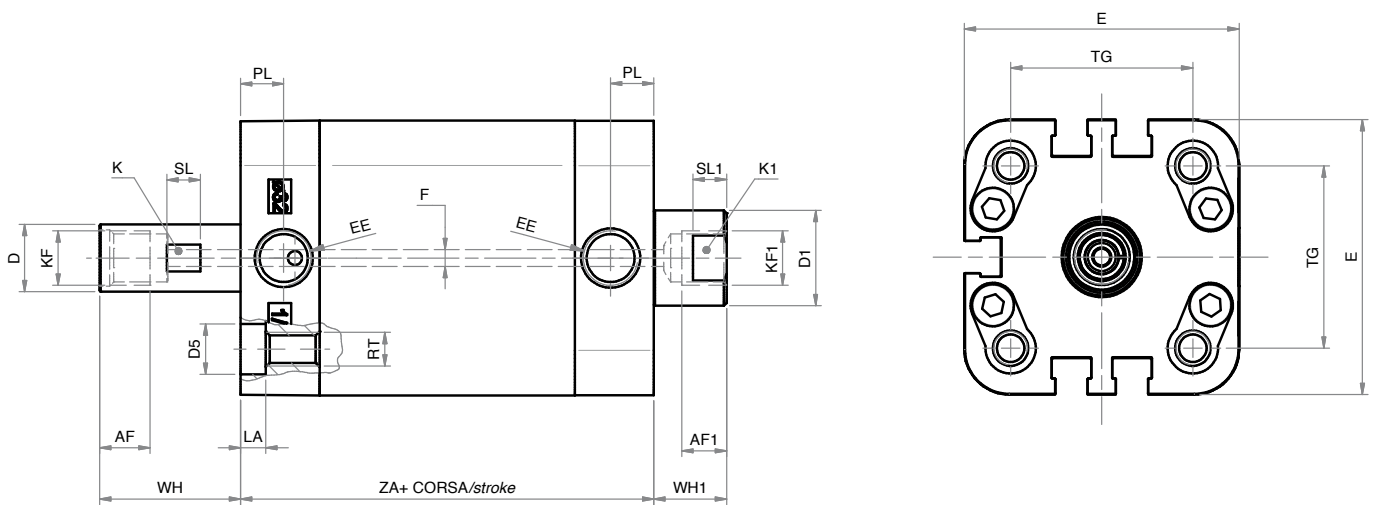
**CORSE STANDARD - STANDARD STROKES**

<b>Ø</b>	32
<b>050</b>	x
<b>100</b>	x
<b>150</b>	x
<b>200</b>	x
<b>230</b>	x
<b>300</b>	x

+ = lunghezza corsa - stroke length

**CILINDRO D.E.M. STELO FORATO**
**CYLINDER WITH HOLLOW ROD D.A.M.**


SERIE

**P**


Note: stelo in acciaio inox 304 cromato

Note: chromed AISI 304 stainless steel rod

**DIMENSIONI - DIMENSIONS**

<b>Ø</b>	32	<b>PL</b>	7,5
<b>AF</b>	9	<b>RT</b>	M6
<b>AF1</b>	7,5	<b>SL</b>	6
<b>ØD</b>	12	<b>SL1</b>	6
<b>ØD1</b>	12	<b>TG</b>	32,5
<b>ØD5</b>	9	<b>WH</b>	25
<b>E</b>	49	<b>WH1</b>	13
<b>EE</b>	G 1/8"	<b>ZA+</b>	50
<b>ØF</b>	3	<b>TG</b>	32,5
<b>K</b>	11	<b>VA</b>	4
<b>K1</b>	15	<b>VD</b>	5
<b>KF</b>	G 1/8"	<b>WH</b>	50
<b>KF1</b>	G 1/8"	<b>WH1</b>	17
<b>LA</b>	5		

**CORSE STANDARD - STANDARD STROKES**

<b>Ø</b>	32
<b>050</b>	x
<b>100</b>	x
<b>150</b>	x
<b>200</b>	x
<b>230</b>	x
<b>300</b>	x